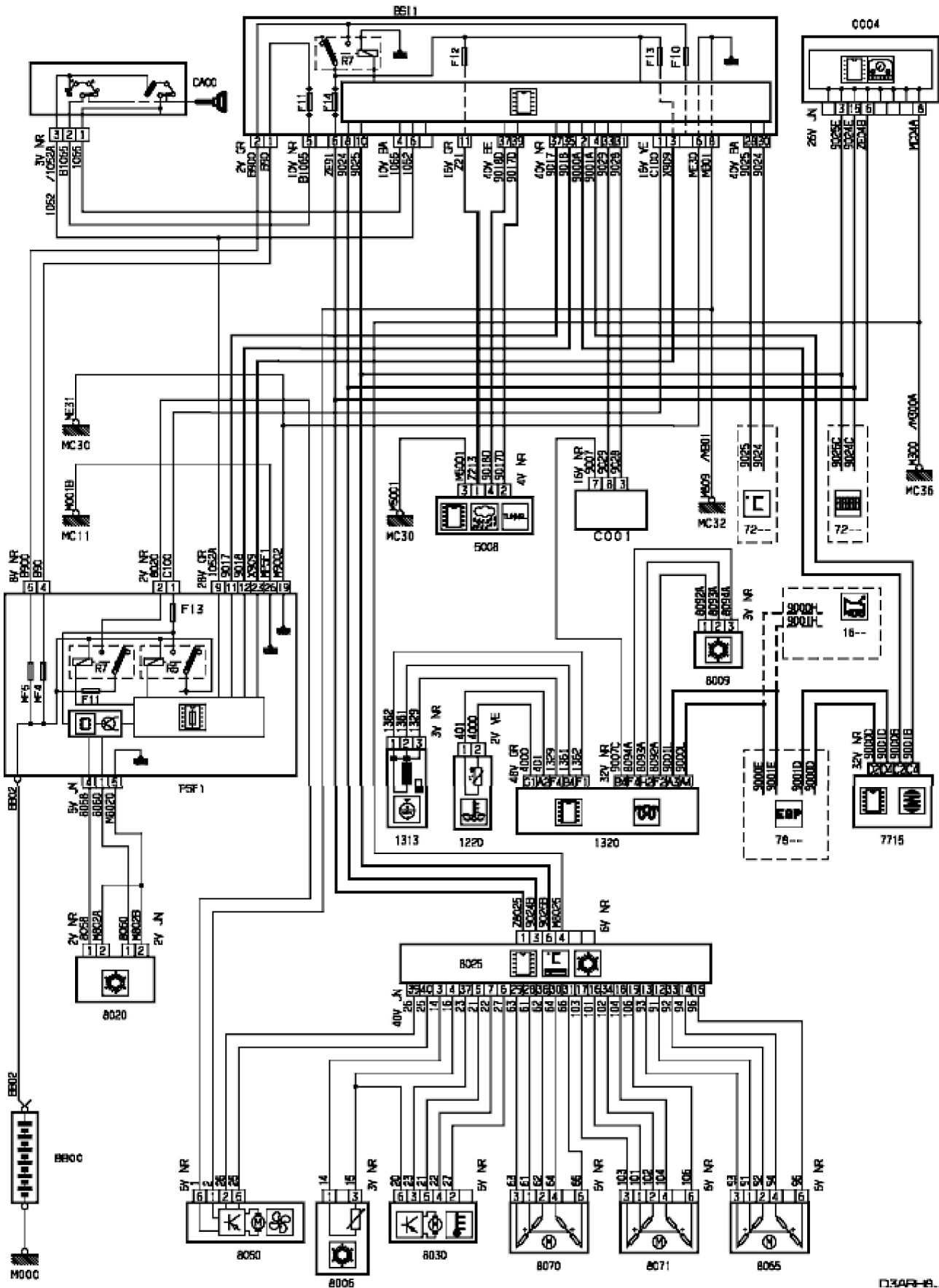


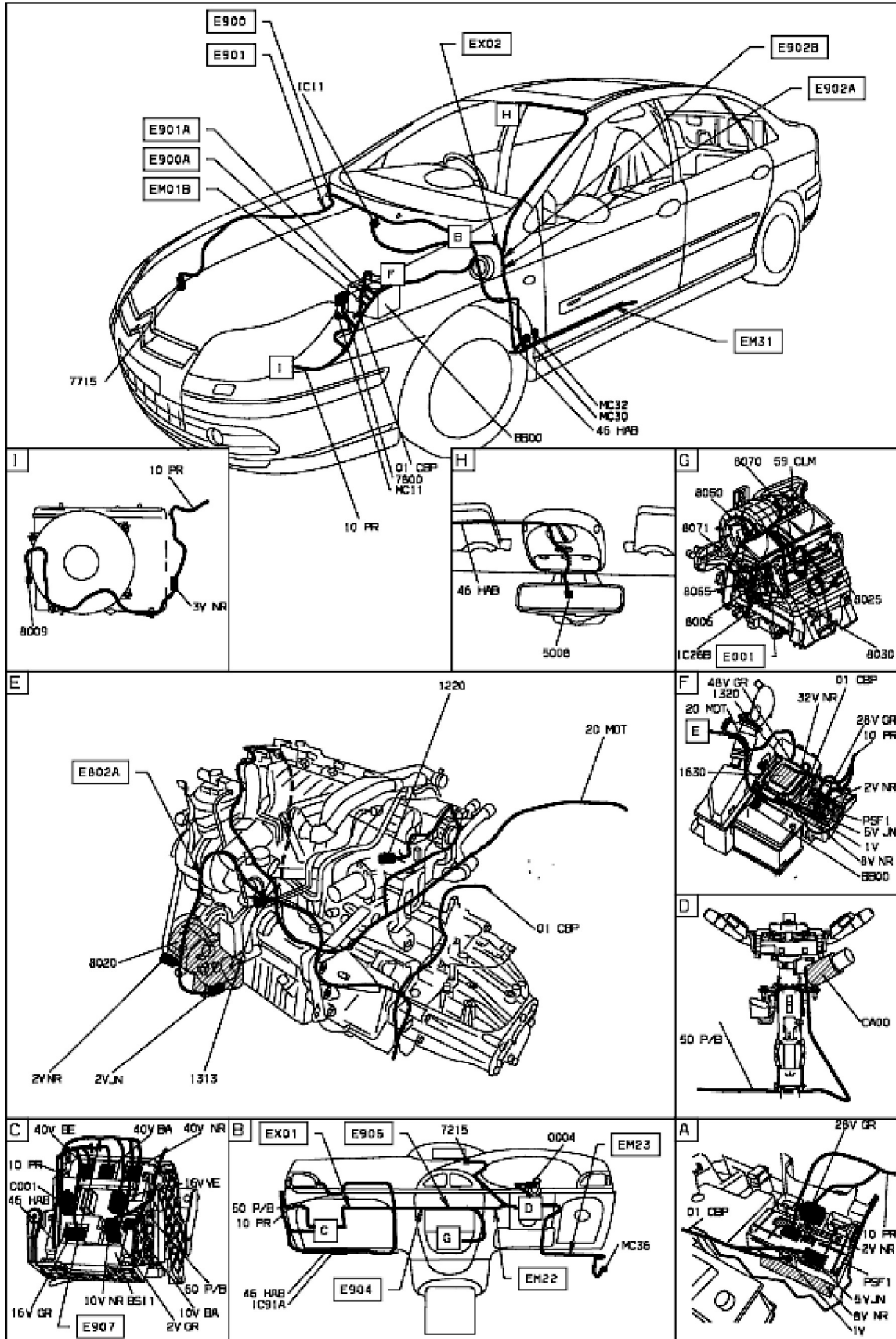
vehicle : C5 II		OPR : 10783	
domain	comfort and convenience	function	air conditioning
component			

principle



03AR-8.2

null



D3AF-BJ1