

## REMOVING - REFITTING : MULTIFUNCTION SCREEN

**ESSENTIAL** : Observe the safety and cleanliness recommendations ⓘ .

Key : **Operation symbols** ⓘ .

### 1. Location

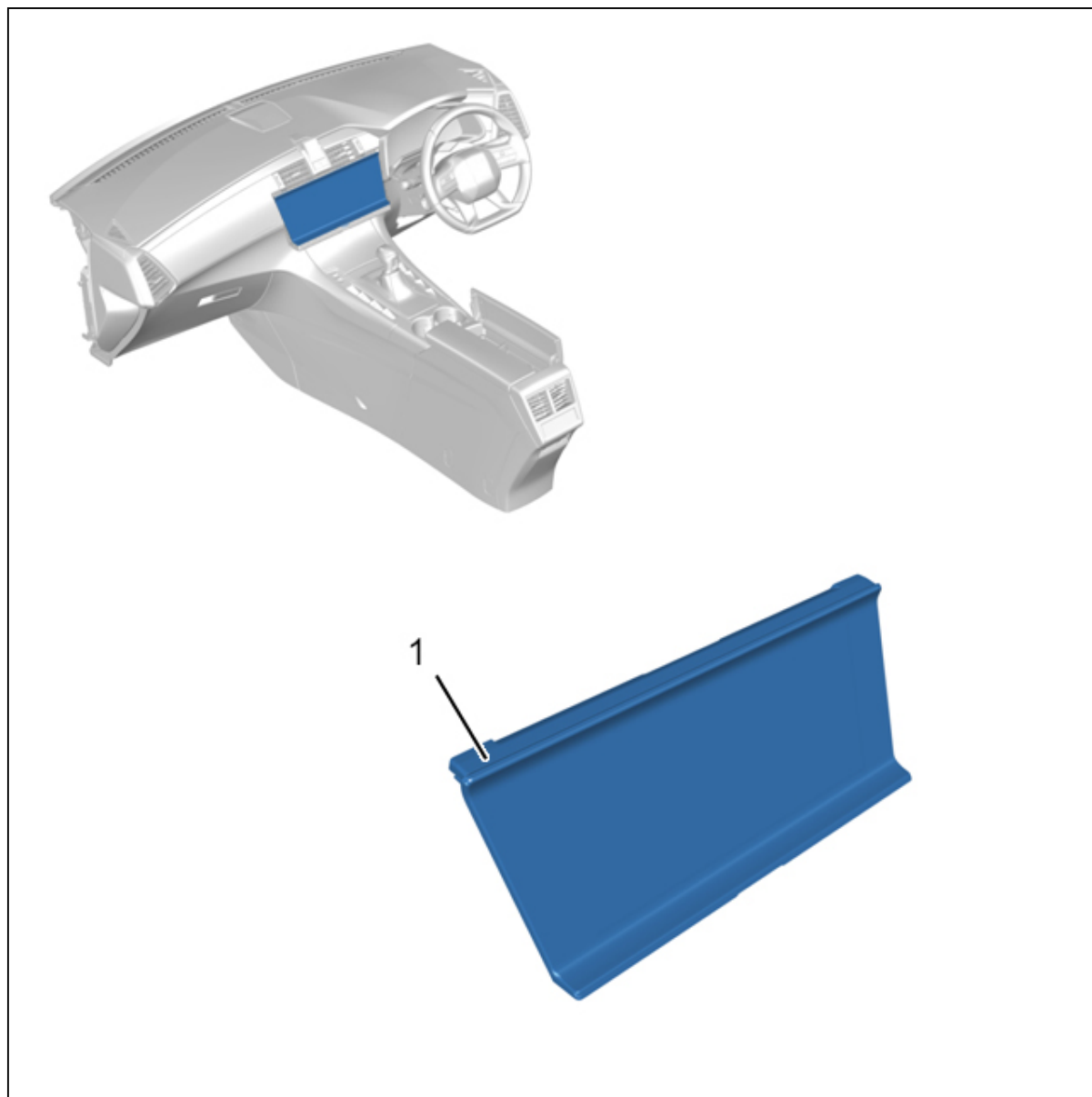



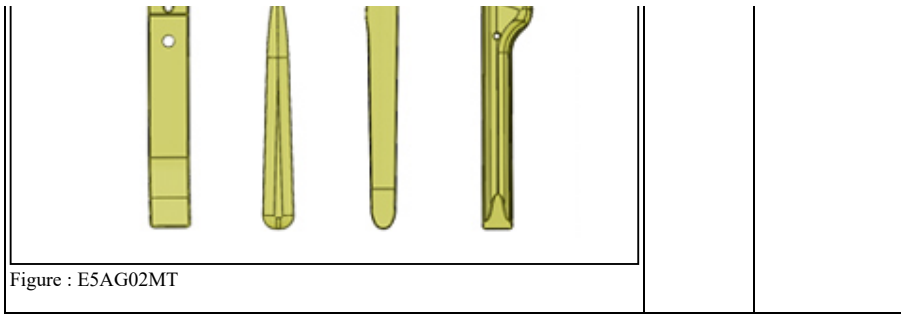
Figure : C5FG3I6P

Identification	Description	Quantity
(1)	Multifunction screen	1

### 2. Tooling

Tool	Reference	Description
	[1350-ZZ]	Stripping tools
[1350-ZZ]		





### 3. Preliminary operation

Disconnect the ancillaries battery ⓘ.

### 4. Removing

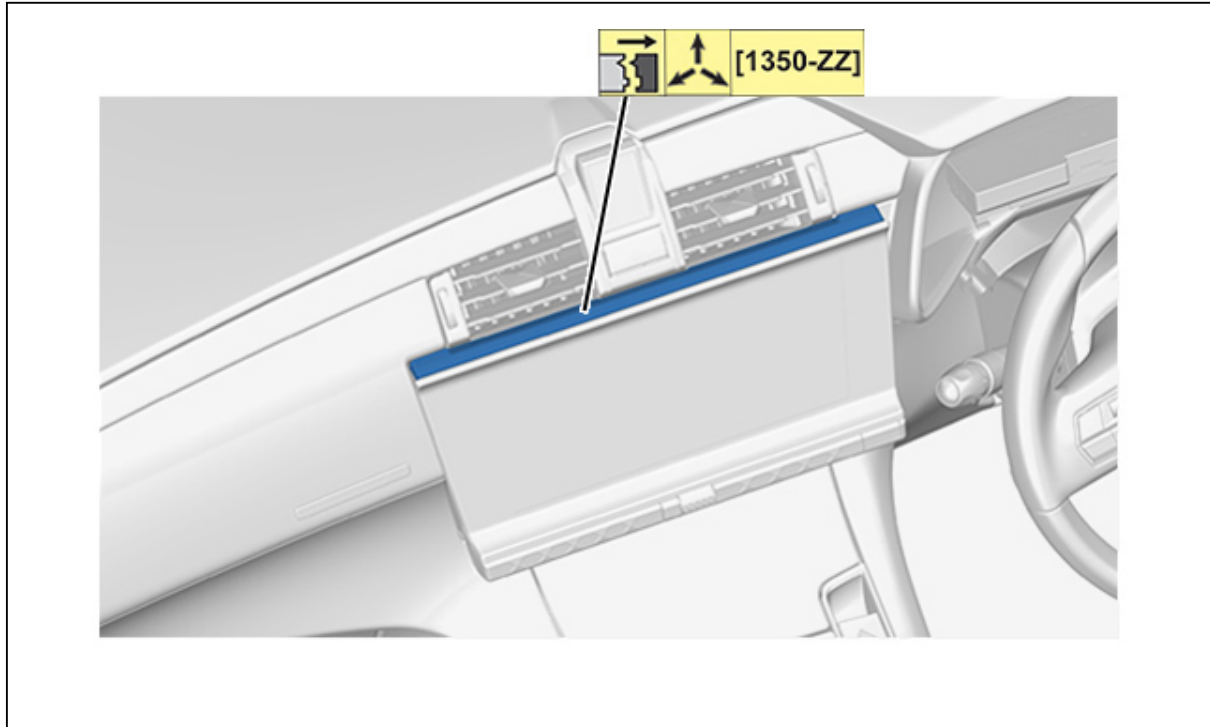


Figure : C5FG317D

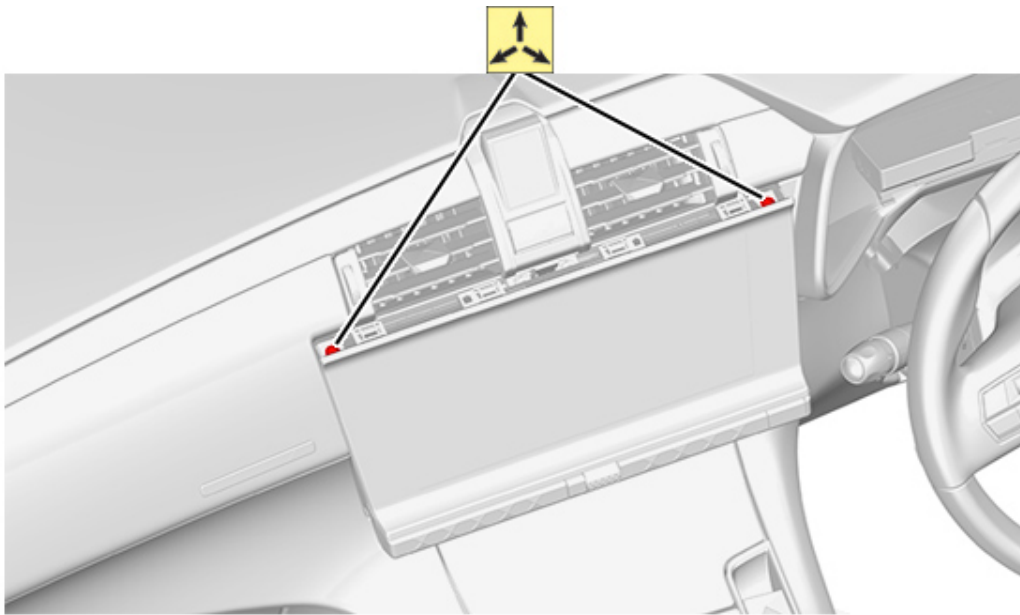


Figure : C5FG3I8D

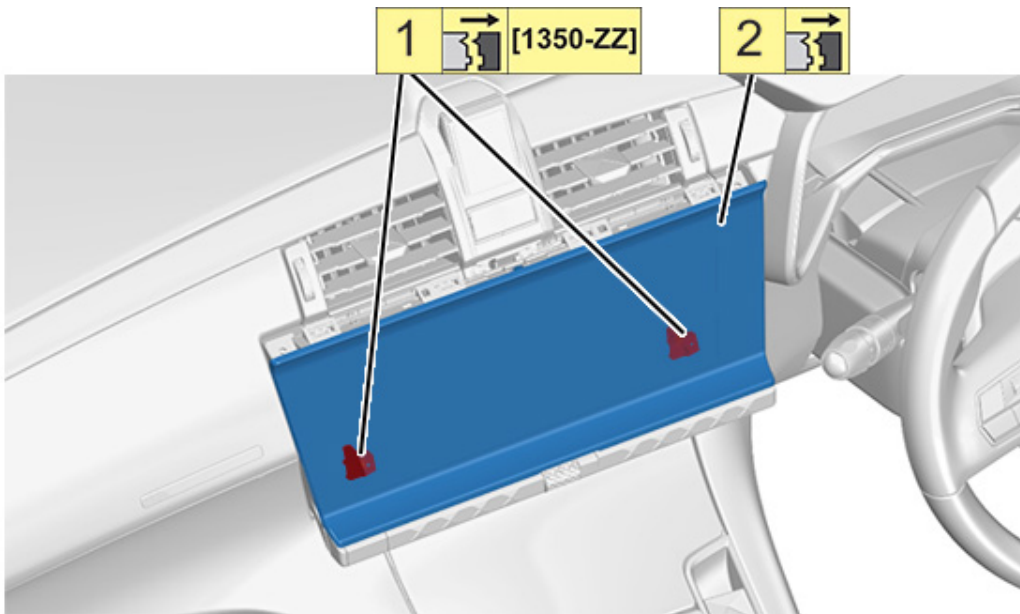


Figure : C5FG3I9D

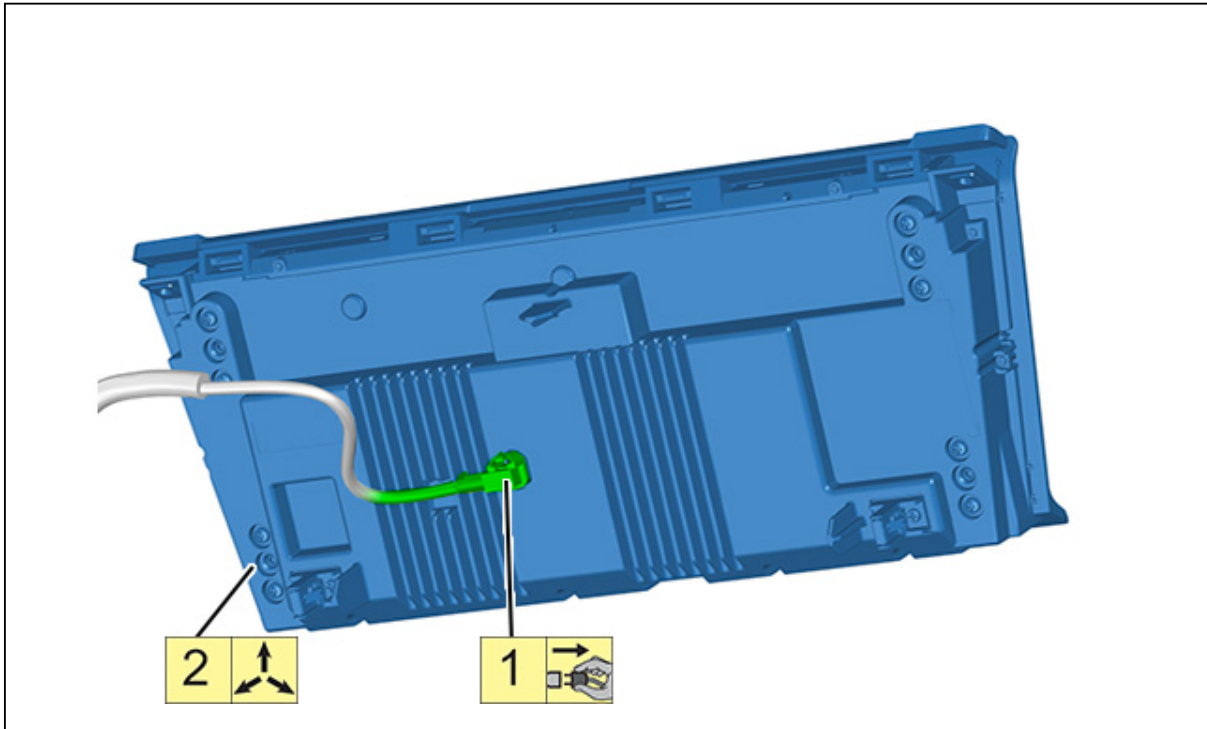


Figure : C5FG3IAD

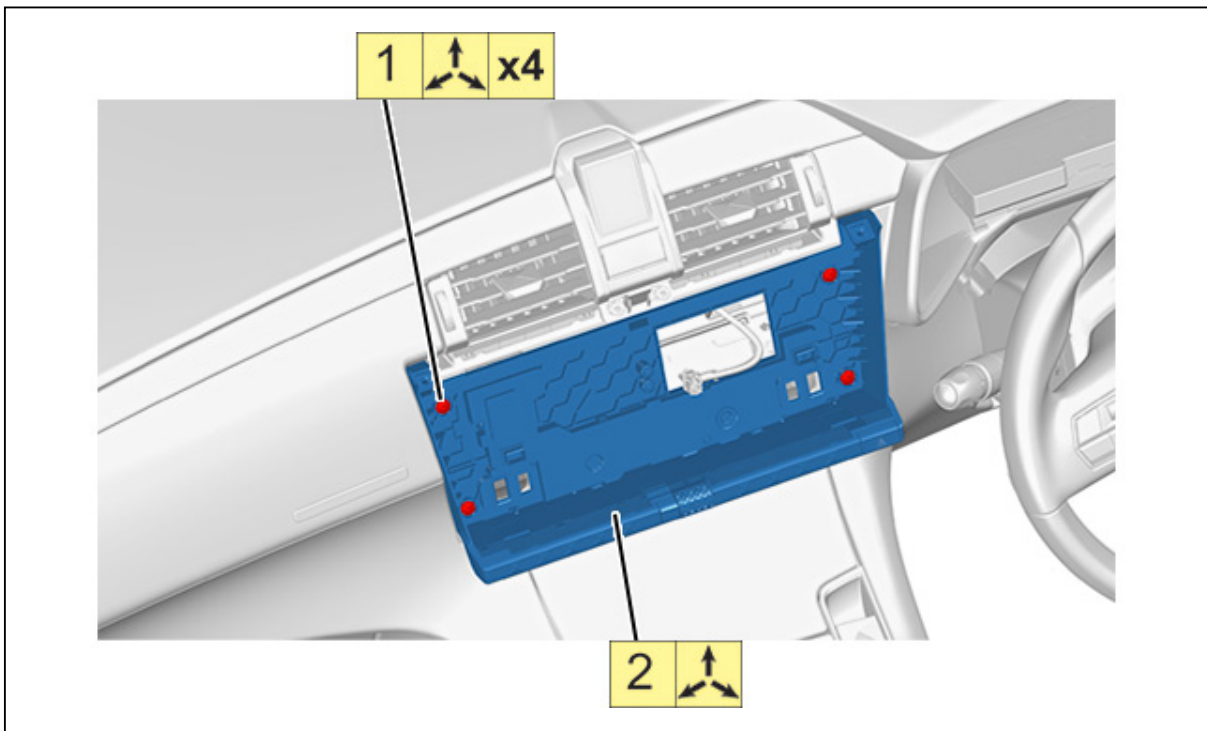


Figure : C5FG3IBD

## 5. Refitting

Proceed in the reverse order to removal.

## 6. Additional operations

**CAUTION** : Perform the operations that are required prior to a disconnection of the ancillaries battery ⓘ .

Reconnect the ancillaries battery.  
Check the operation of the various equipment.