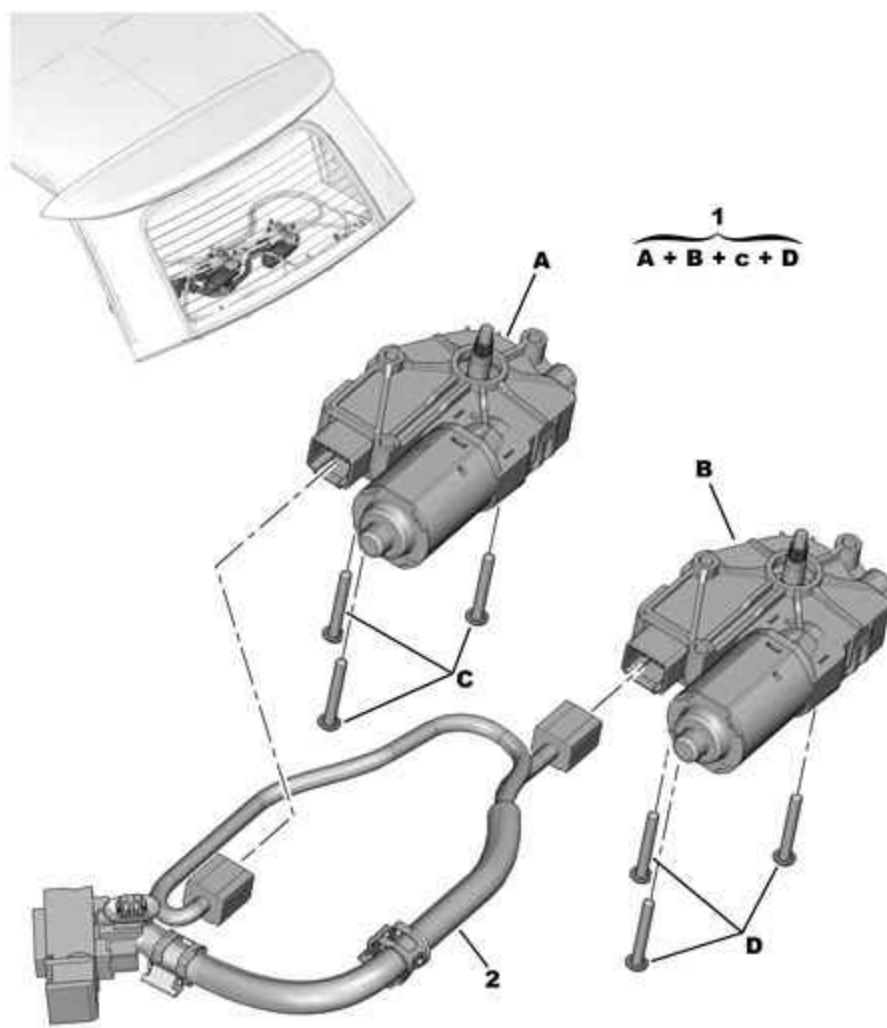


16/04/12 746801A SUNROOF FRAME - MOTOREDUCTER



05/2012

00095011

01	16 093 130 80	01	FOLDING ROOF MOTOR KIT
02	16 090 294 80	01	SUN ROOF HARNESS