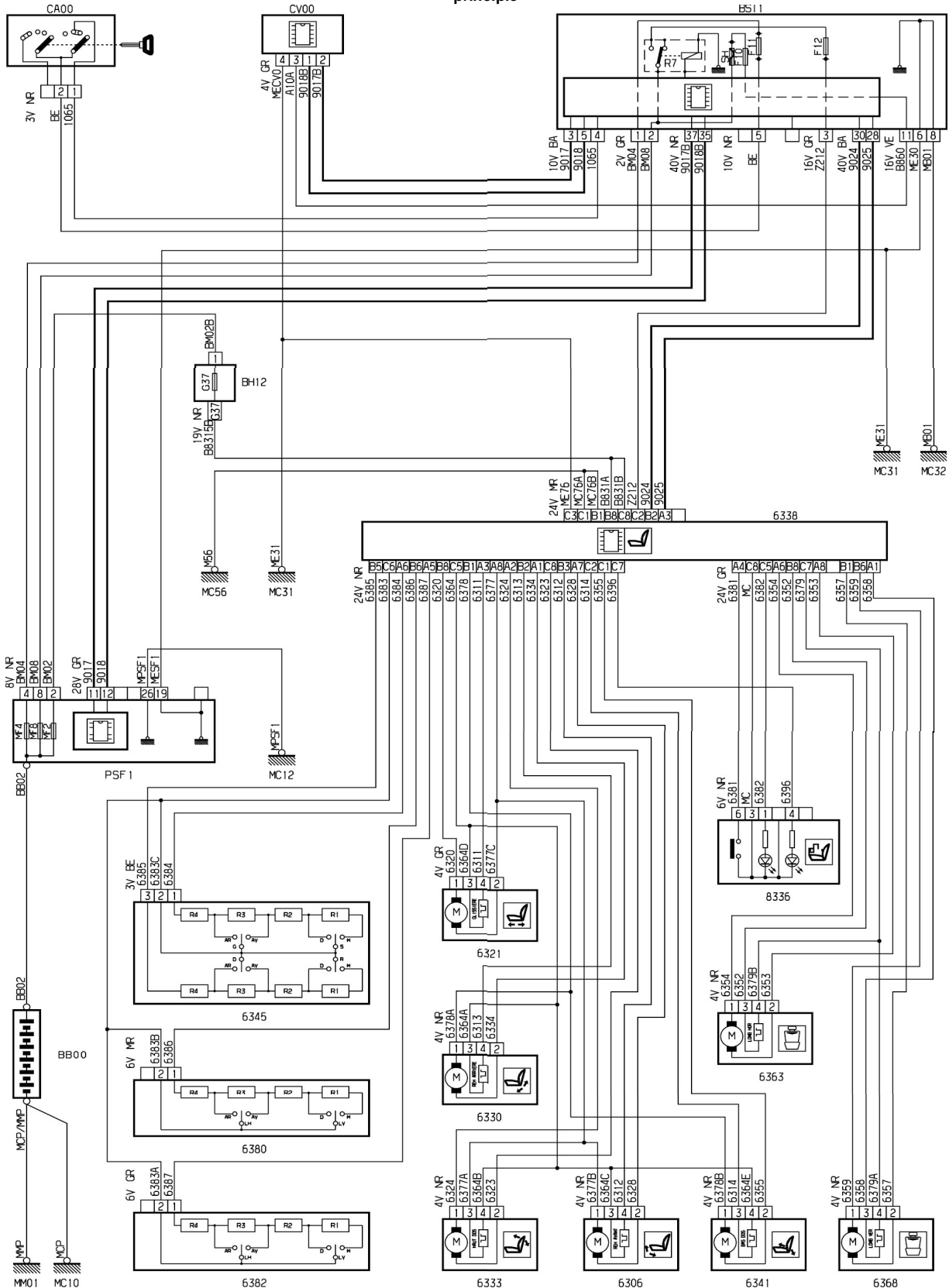


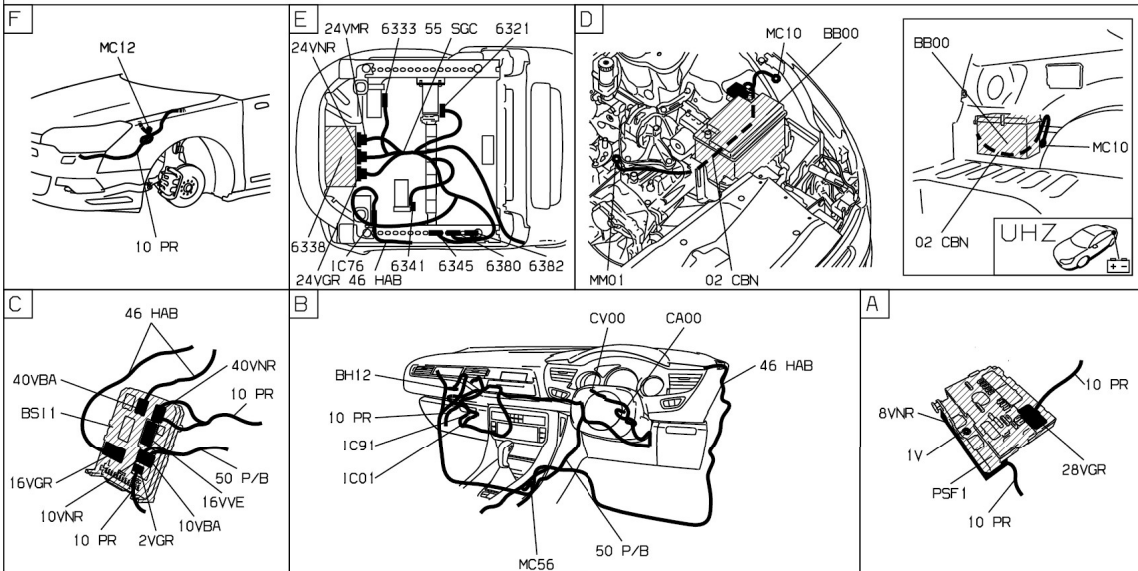
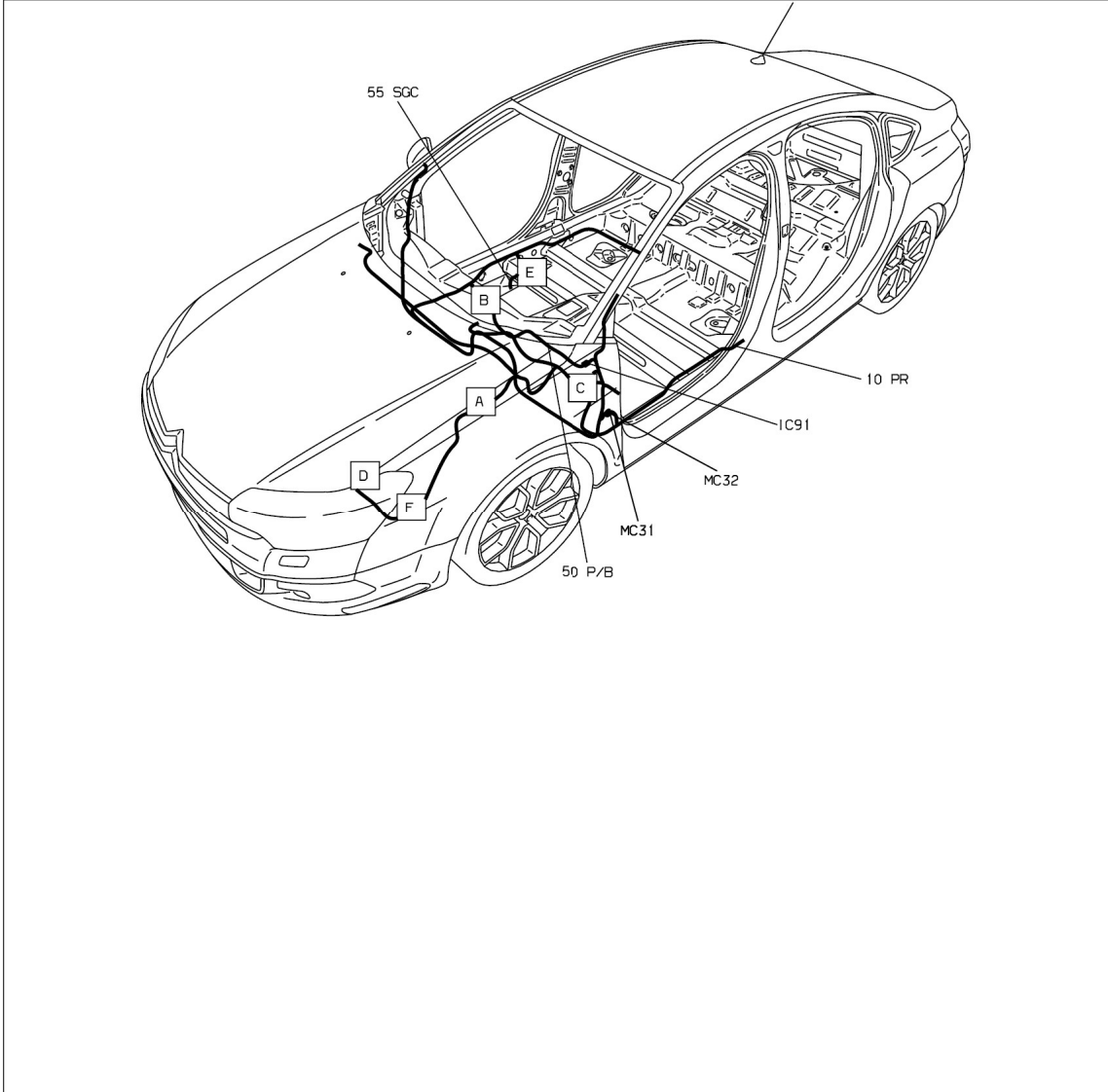
vehicle : C5 (X7)		OPR : 11931	
domain	instruments and controls	function	driver's electric seat
component			

principle



D3ARQCWR

null



D3ARQCW1

property of PSA Peugeot Citroën

28/09/2025



This document was created with the Win2PDF "Print to PDF" printer available at

<https://www.win2pdf.com>

This version of Win2PDF 10 is for evaluation and non-commercial use only.

Visit <https://www.win2pdf.com/trial/> for a 30 day trial license.

This page will not be added after purchasing Win2PDF.

<https://www.win2pdf.com/purchase/>