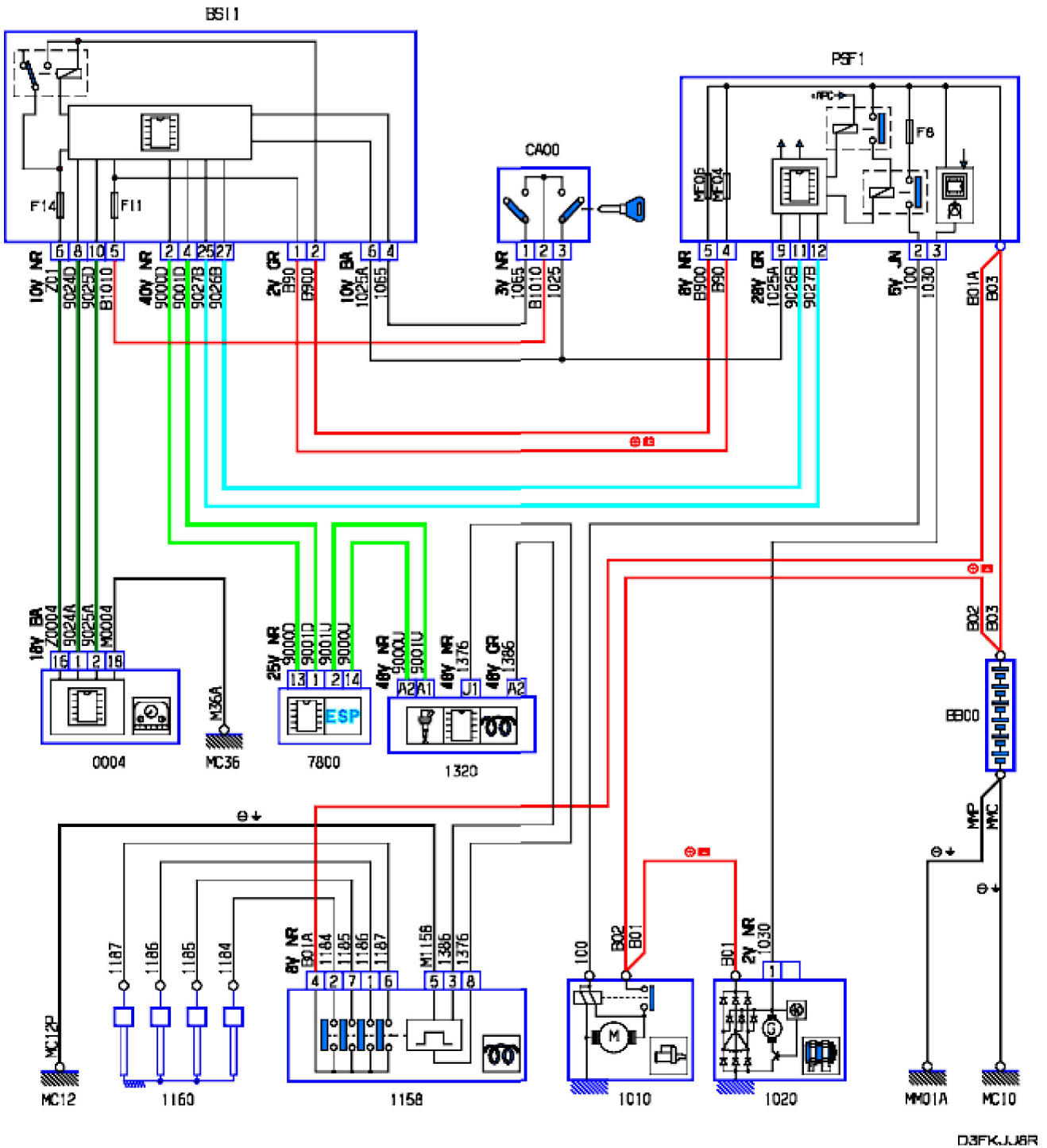


| | | | |
|---------------|------------|-------------|-----------------|
| vehicle : 407 | | OPR : 10735 | |
| domain | power unit | function | engine starting |
| component | | | |

principle



D3FKJJB8